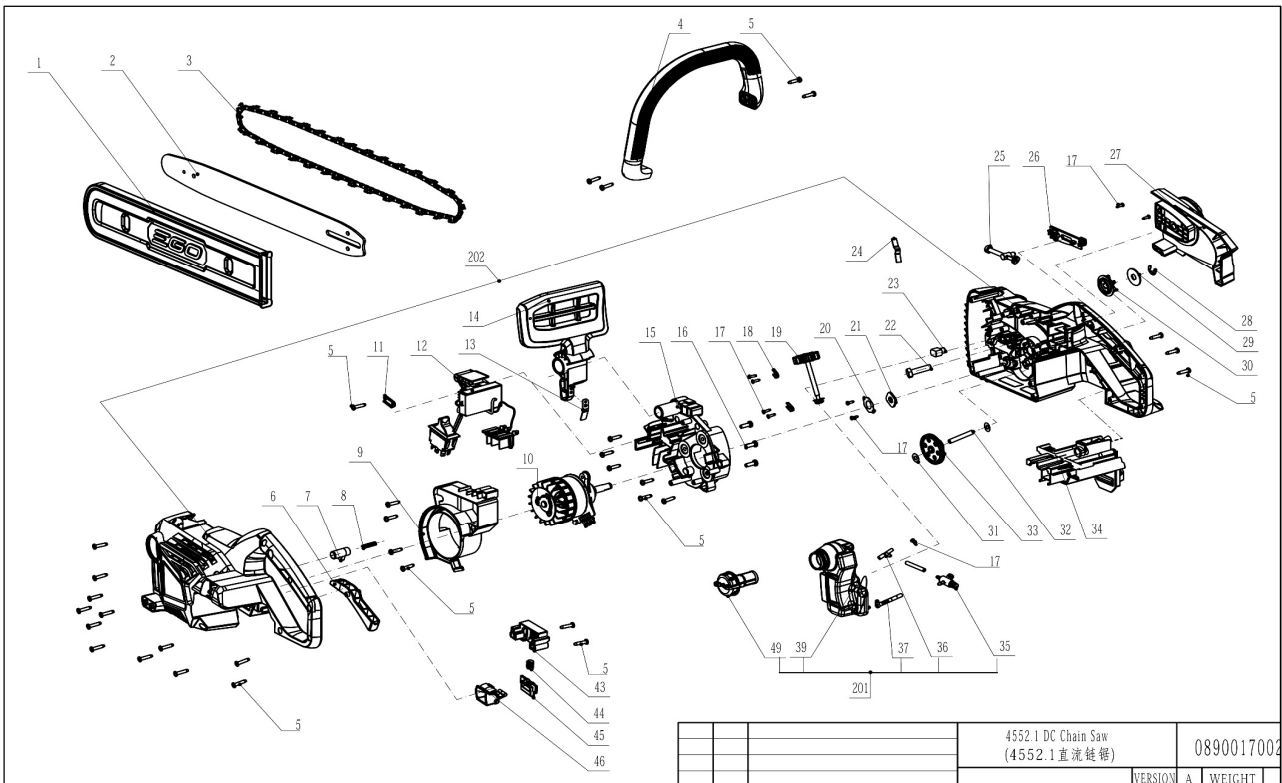


CS1600E



Index No.	Art. No.	Technical Information	Description	QTY in machine
1	3128201001		Sheath	1
2		Available as accessory	Guide	1
3		Available as accessory	Chain	1
4	3127504002		Front Handle	1
5	5610042014		Tapping Screw	33
6	3127496001		Switch Trigger	1
7	3127495001		Lock off Button	1
8	3660427002		Spring	1
9	3127502001		Fan Baffle	1
10	2823855002		Motor & Gear ASSY	1
11	3700367001		Cord Anchorage	1
12	2830039003		Electric Assembly	1
13	3705658001		Brake Piece	1
14	3402731001		Board	1
15	3127503001		Motor Support	1
16	5620051010		Screw	3
17	5610011006		Tapping Screw	9
18	3700894001		Cord Anchorage	2
19	2823856001		Transmission ASSY	1
20	5660209001		Clamp	1
21	3705661001		Felt Ring	1
22	5640011002		Hexagon Head Bolt	1
23	3552150001		Clamp	1
24	3705659002		Leaf Spring	1
25	2823167001		Screw ASSY	1
26	3421169001		Cover	1
27	2823860001		Cover ASSY	1
28	5660028001		E Ring	1
29	5660208001		Gasket	1
30	3421564001		Sprocket	1
31	5650042001		Plain Washer	2
32	5670185001		Pin	1
33	3127510001		Gear	1
34	2823934001		Support ASSY	1
35	2823786001		Pump Assy	1
36	3127524001		Nozzle	1
37	4920530001		Soft Tube	1
39	3127506001		kettle	1
43	3127507001		Support	1
44	3660013003		Spring	1
45	3127497001		Power Pack Button	1

46	3127498001		Power Pack Button	1
49	2824708001	New assembly fits old and new machines	Cover Assembly	1
201	2823933002		Kettle ASSY	1
202	2823935001		L R Housing Set	1