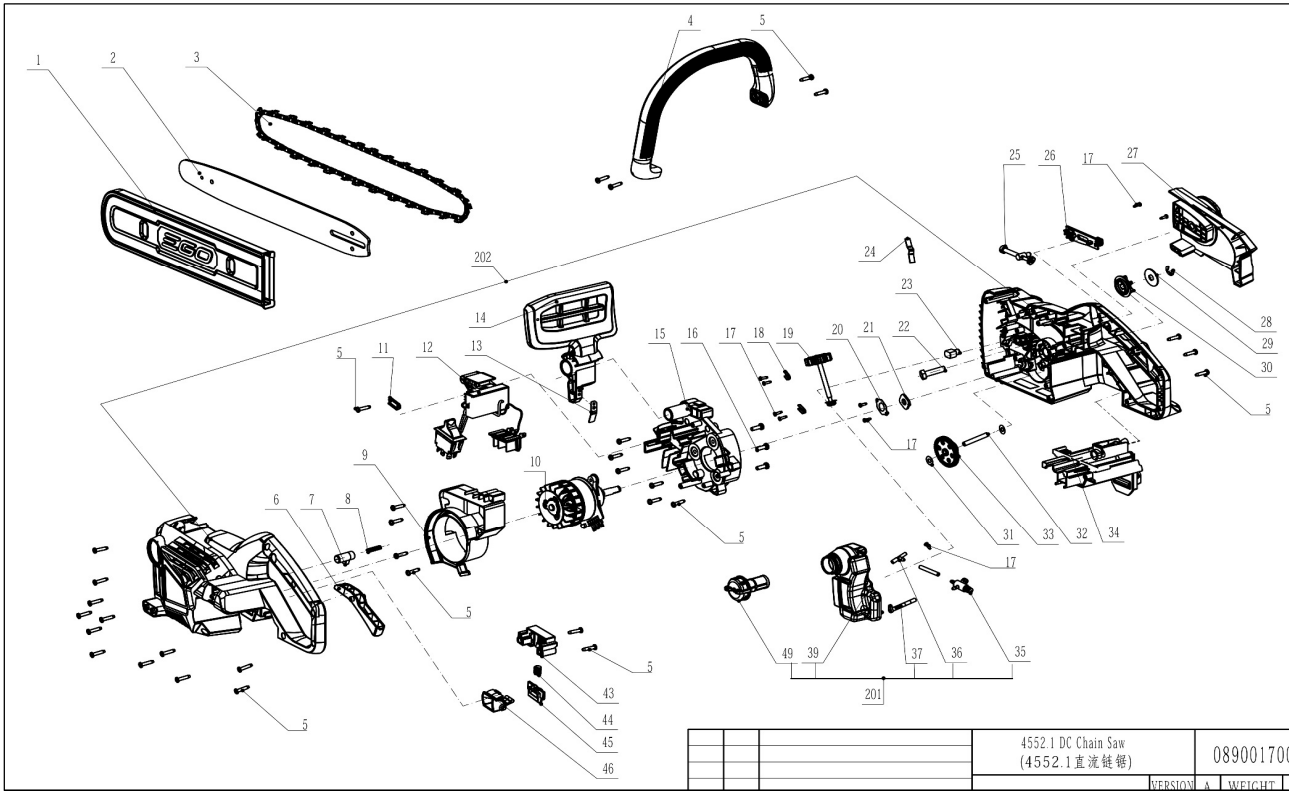


CS1400E V2



Index No.	Art. No.	Technical Information	Description	QTY in machine
1	3127500001		Chain sheath	1
2		Available as accessory	Guide bar	1
3		Available as accessory	Saw chain	1
4	3127504002		Front handle	1
5	5610042014		Tapping Screw	33
6	3127496001		Switch Trigger	1
7	3127495001		Lock off Button	1
8	3660427002		Spring	1
9	3127502001		Fan Baffle	1
10	2823855002	Can only be used in G2 version unless replaced together with 2830039003 (Electric Assembly)	Motor & Gear ASSY	1
11	3700367001		Cord Anchorage	1
12	2830039003	Can only be used in G2 version unless replaced together with 2823855002 (Motor & Gear Assy)	Electric Assembly	1
13	3705658001		Brake Piece	1
14	3127518001	Inventory running change. Old and new part fully interchangeable.	Kick-back Board	1
15	3127503001		Motor Support	1
16	5620051010		Screw	3
17	5610011006		Tapping Screw	9
18	3700894001		Cord Anchorage	2
19	2823856001		Transmission ASSY	1
20	5660209001		Clamp	1
21	3705661001		Felt Ring	1
22	5640011002		Hexagon Head Bolt	1
23	3552150001		Clamp	1
24	3705659002		Leaf Spring	1
25	2823167001		Tensioning screw assembly	1
26	3421169001		Cover plate	1
27	2823860001		Side cover assembly	1
28	5660028001		E Ring	1
29	5660208001		Gasket	1
30	3421564001		Sprocket	1
31	5650042001		Plain Washer	2
32	5670185001		Pin	1
33	3127510001		Gear	1
34	2823934001		Support ASSY	1
35	2823786001	New part. Can be used on new and old machines	Pump ASSY	1
36	3127524001	New part. Can be used on new and old machines	Nozzle	1
37	4920530001	New part. Can be used on new and old machines	Soft Tube	1
39	3127506001	New part. Can be used on new and old machines	Kettle	1
43	3127507001		Support	1

44	3660013003		Spring	1
45	3127497001		Power Pack Button	1
46	3127498001		Power Pack Button	1
49	2824708001		Cover Assembly	1
201	2823933002		Kettle ASSY	1
202	2823935001		Left&Right Housing Set	1