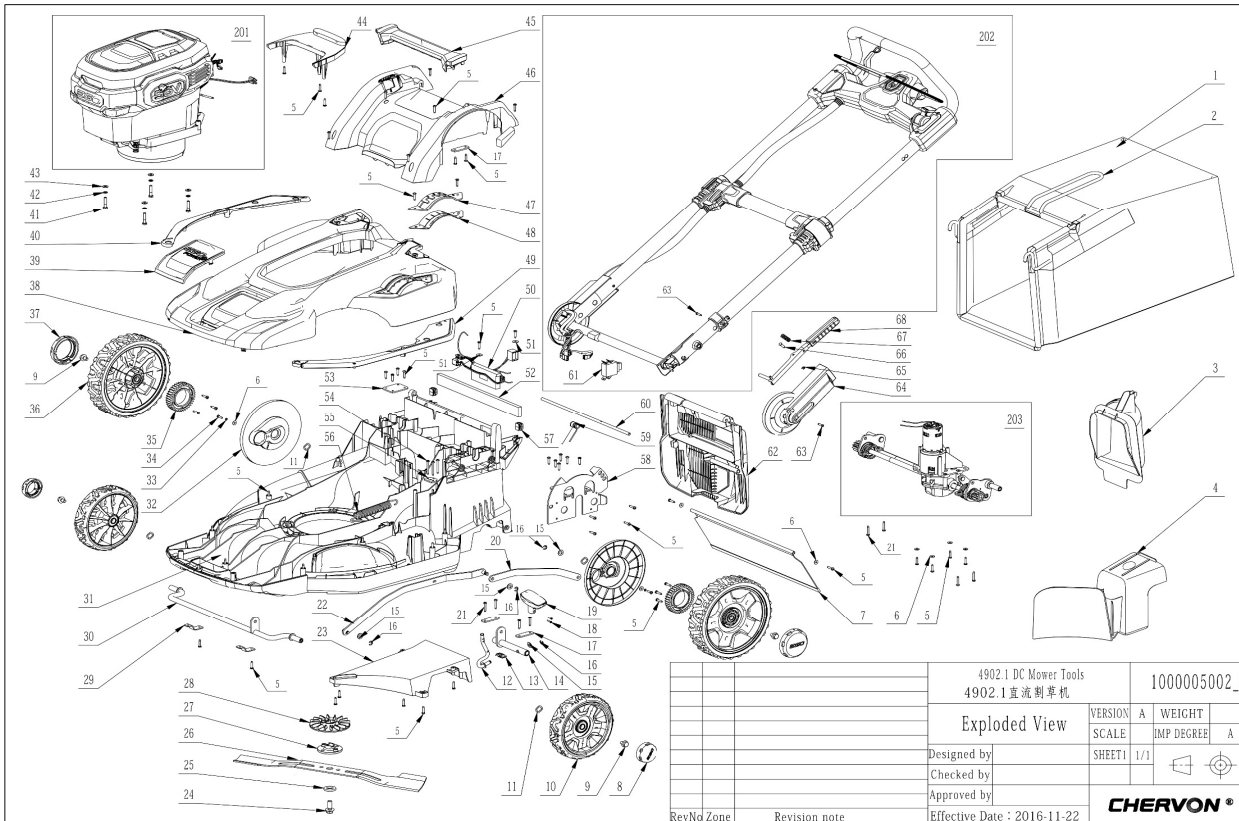


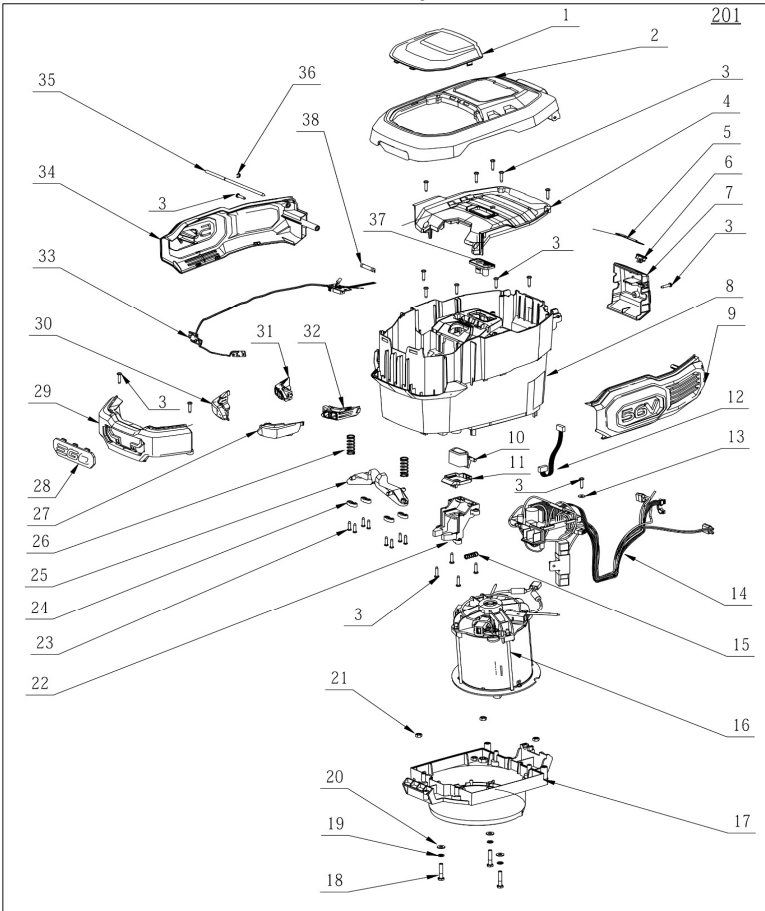
LM2100E SP



Index No.	Art. No.	Technical Information	Description	QTY in machine
1	3800074001		Grass Catcher	1
2	3705442002		Bag Frame	1
3		Available as accessory	Side Discharge Chute	1
4	3127924001		Mulch Plug	1
5	5610042014		Tapping Screw	63
6	5650004001		Plain Washer	8
7	3126391001		Trail Shield	1
8	3126769001		Hubcap	2
9	5640010003		Hexagon Flange Bolt	4
10	2824429001		Wheel Assembly	2
11	5650453001		Wave Washer	4
12	2823295001		Handle Lever Set	1
13	3660558001		Tension Spring	1
14	2823322001		Shaft ASSY	1
15	5650025004		Plain Washer	4
16	5660139002		E Ring	4
17	3705398001		Mounting Plate	3
18	5620065004		Screw	2
19	3321478001		Height Adjusting Lever	1
20	3705142001		Connecting Rod	1
21	5610044002		Tapping Screw	8
22	2823296001		Connecting Rod Set	1
23	3127925001		Rear Enclosure	1
24	5640226001		Flange Bolt	1
25	5650510001		Washer	1
26	3706059001		Blade	1
27	3520852002		Motor Bushing	1
28	3127847001		Fan	1
29	3705216001		Mounting Plate	2
30	2824194001		Front Axle Set	1
31	3127932001		Deck	1
32	3127923001		Protecting Cap	2
33	5650007001		Spring Washer	2
34	5620041006		Screw	2
35	3520933001		Gear	2
36	2824430001		Wheel Assembly	2
37	3126765001		Hubcap	2
38	3127975001		Housing Cover	1
39	3127974001		Decorative Cover	1
40	3127939001		Right Cover	1
41	5640008003		Hexagon Head Bolt	4
42	5650168002		Spring Washer	4
43	3700076001		Plate	4

44	3127892001		Service Cover	1
45	3127976001		Auxiliary Handle	1
46	3127926001		Service Cover	1
47	3705896001		Depth Stop Plate	1
48	3128083001		Rubber Pad	1
49	3127940001		Left Cover	1
50	2830076003		Electric Assembly	1
51	3700353001		Washer	2
52	3706018001		Spongy Cushion	1
53	3705440001		Clamp	1
54	5610047003		Tapping Screw	3
55	3705397001		Clamp	1
56	3660557001		Tension Spring	1
57	3127738001		Rubber Gasket	2
58	2824383001		Fixed Set	1
59	3660559001		Torsion Spring	1
60	5670345001		Shaft	1
61	4870566002		Push Switch	1
62	3126689003		Rear Cover	1
63	5610032004		Tapping Screw	2
64	3126912001	Inventory running change. Old and new part fully interchangeable.	Decorate Cover	1
65	5660003003		E Ring	1
66	3550048003		Pin	1
67	3660565001		Compression Spring	1
68	2824250001		Handle Lever Set	1
69	5680196001		Key	2
201	2824248002		Power Unit	1
202		Not available	Handle Assy	1
203	2824280002		Self-Propelled Unit	1

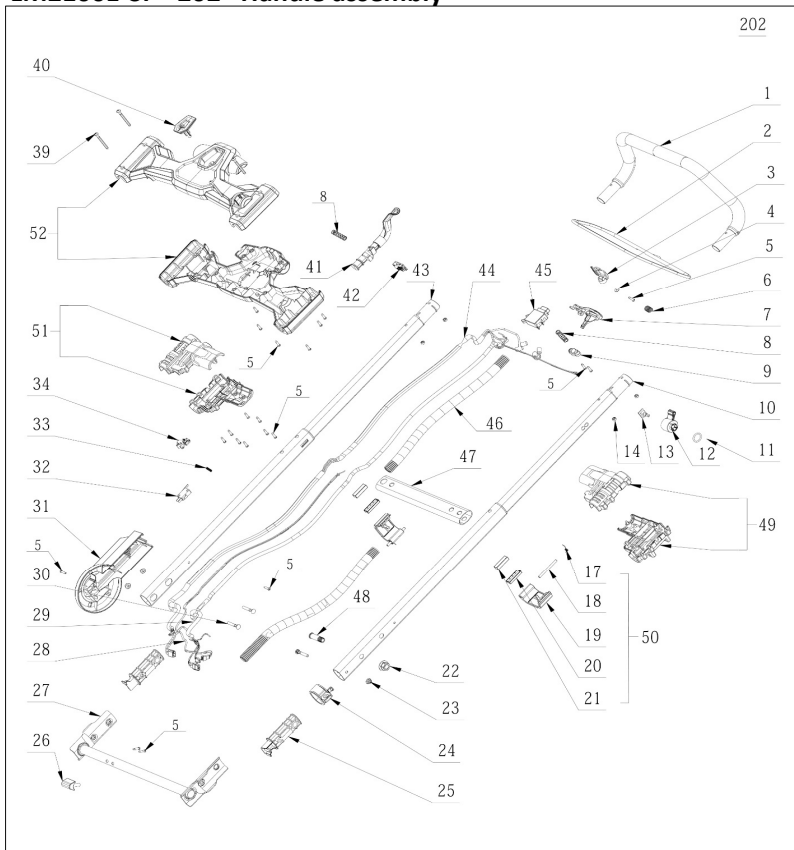
LM2100E-SP 201 Motor assembly



1	3127900001		Transparent Guard	1
2	3127880001		Battery Cover	1
3	5610042014		Tapping Screw	19
4	3127879001		Inner Cover	1
5	4870558001		Film Switch	1
6	3127891001		Power Indicator Cover	1
7	3127890001		Cover	1
8	3127881001		Battery Box	1
9	3127899001		Decorative Cover	1
10	3126760001		Release Button	1
11	3126772001		Sliding Block	1
12	4930490001		Wiring Harness	1
13	5650004001		Plain Washer	1

14	2830075002		Electric Assembly	1
15	3660303002		Spring	1
16	2730238001		DC Motor	1
17	3127886001		Bottom Support	1
18	5640008003		Hexagon Head Bolt	3
19	5650168002		Spring Washer	3
20	3700076001		Plate	3
21	5630015001		Prevailing Torque Hexagon Nut	4
22	3126782001		Fixed Unit	1
23	5610032004		Tapping Screw	8
24	3122798001		Cord Anchorage	4
25	3126773001		Lever	2
26	3660306002		Spring	2
27	3127982001		Transparent Cap	1
28	3321927001		EGO Logo	1
29	3127889002		Front Cover	1
30	3127981001		Transparent Cap	1
31	3127983001		Reflector	1
32	3127984001		Reflector	1
33	2823604003		PCB Assembly	1
34	3127898001		Decorative Cover	1
35	5670380001		Pin	1
36	5660003003		E Ring	1
37	5680195001		Key Holder	1
38	4970313001	New part. Can be used on new and old machines	fuse	1

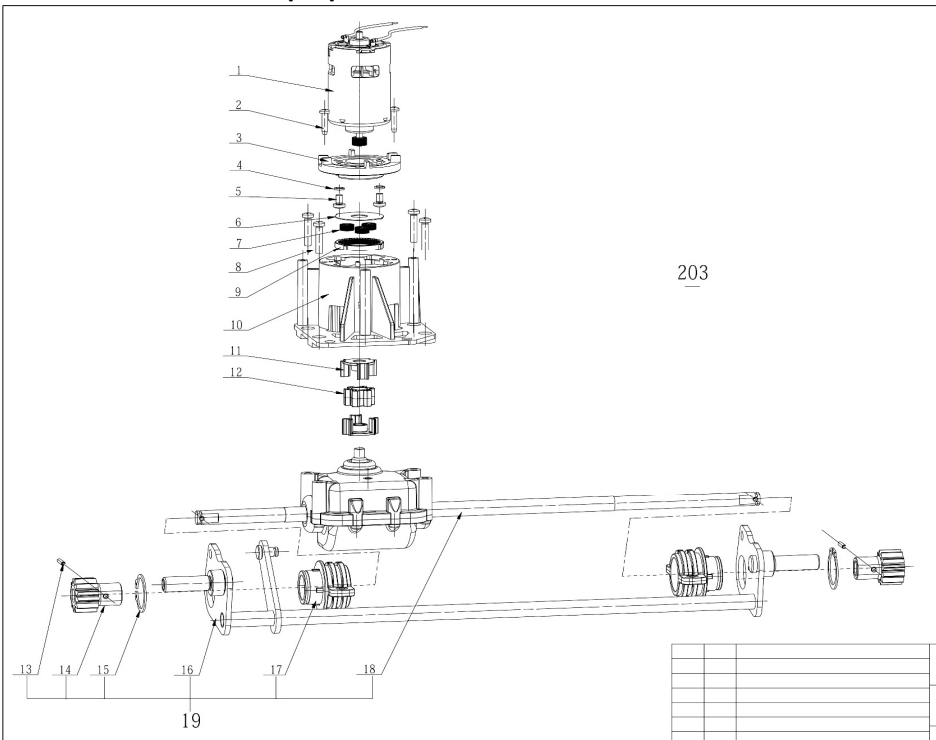
LM2100E-SP 202 Handle assembly



1	2823782001		Sheath ASSY	1
2	2824118001		Control Handle ASSY	1
3	3127905001		Switch Actuator	1
4	5650004001		Plain Washer	1
5	5610032004		Tapping Screw	31
6	3660011002		Spring	1
7	3127908001		Switch Lever	1
8	3660562001		Compression Spring	2
9	3126763001		Clamp	1
10	2824292001		Telescope Tube	1
11	3123112001		O Ring	1
12	3127930001		Adjusting Knob	1
13	4890439003		PCB Assembly	1
14	5630006002		Prevailing Torque Hexagon Nut	4
17	3660568001		Torsion Spring	2
18	5670191002		Parallel Pin	2
19	3126790002		Control Handle	2
20	3126761001		Clamp Block	2
21	3126832001		Rubber Block	2

22	5630268001		Nut	1
23	5630013001		Prevailing Torque Hexagon Nut	3
24	3126775001		Fixing Block	1
25	3126788001		Tie-in	2
26	3126783001		Switch Level	1
27	2823431002		Spindle ASSY	1
28	4860305001		Wiring Harness	1
29	4860308001		Internal Wire ASSY	1
30	5640168001		Square Neck Bolt	3
31	3126912001	Inventory running change. Old and new part fully interchangeable.	Decorate Cover	1
32	4870500001		Micro Switch	1
33	3660287002		Spring	1
34	3126768001		Switch Actuator	1
39	5610064005		Thread Forming Screw	4
40	3127929001		Button	1
41	3127928001		Control Handle	1
42	4870563001		Push Switch	1
43	2824295001		Telescope Tube	1
44	4860306001		Wiring Harness	1
45	4870566001		Push Switch	1
46	3128120001		Bellows Seal	2
47	3705393001		Intermedium Tube	1
48	3551952001		Sleeve	1
49	2824427001		Left Cover Set	1
50	2823714002		Control Handle Set	2
51	2824426001		Right Cover Set	1
52	2824305001		Switch Box Set	1

LM2100E-SP 203 Self propelled unit



1	2824424001		Motor & Gear ASSY	1
2	5610042014		Tapping Screw	2
3	3421676001		AI Cover	1
4	5650015012		Spring Washer	2
5	5620220001		Screw	2
6	3703931002		Gasket	1
7	3520868001		Planet Gear	3
8	5610060004		Tapping Screw	4
9	3520519001		Ring Gear	1
10	2824425001		Shaft ASSY	1
11	3520672001		Shaft Connector	2
12	3126674001		Connector	1
13	5670003003		Spring Pin	2
14	3520865001		Pinion	2
15	5660152002		Circlips For Shaft	2
16	2824193001		Rear Axle Set	1
17	2824423001		Bearing Support ASSY	2
18	2824148001		Transmission ASSY	1
19	2824476002		Rear Axle Set	1