

LM2010E + 2011E

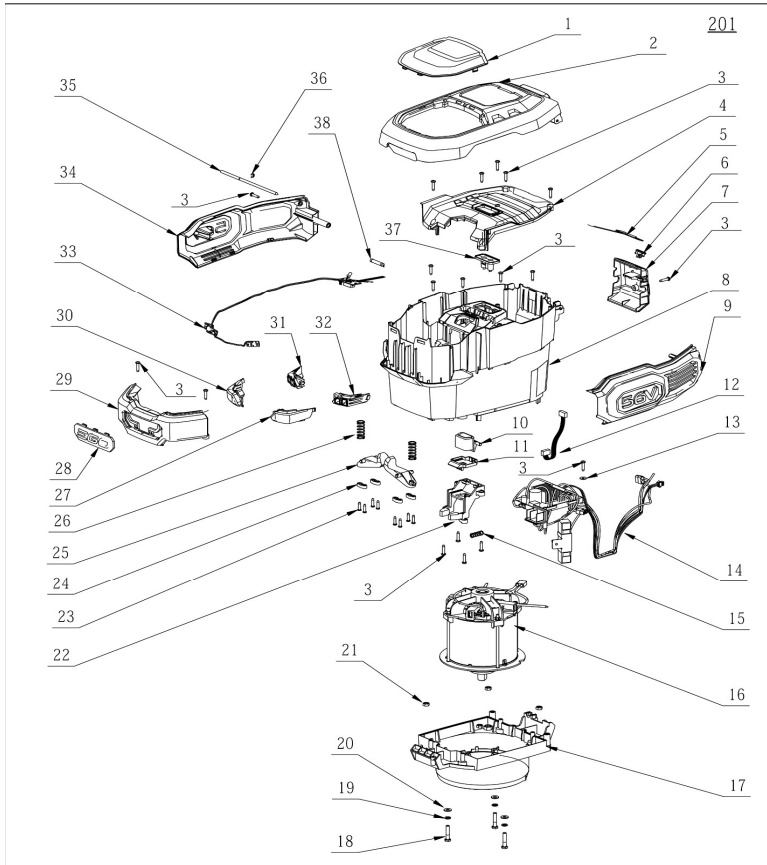
Old number		4903 DC Mower Tool 4903 直流割草机	1000003001_S
Number		Exploded View	VERSION A WEIGHT 8 SCALE 1:10 IMP DEGREE
Signature		Designed by 社管器	SHEET 1/1
Date		Checked by 范培培	Approved by
		Effective Date : 2016-05-30	CHEVRON®
RevNo	Zone	Revision note	

LM2010E + 2011E

Index No.	Art. No.	Description	QTY in machine
1	3700076001	Plate	4
2	5640008003	Hexagon Head Bolt	4
3	5650168001	Spring Washer	4
4	3127965001	Guard	1
5	5620213003	Hexagon Socket Screw	6
6	3705862001	Bevel Support	1
7	3660607001	Torsion Spring	1
8	5670384001	Pin	1
9	3705890001	Deck	1
10	5680200001	Rivet	1
11	3126769001	Hubcap	2
12	5640010003	Hexagon Flange Bolt	10
13	2824429001	Wheel Assembly	2
16	5620157006	Hexagon Socket Screw	34
17	5630013003	Prevailing Torque Hexagon Nut	2
18	2824348001	Front Axle Set	1
19	3705216001	Mounting Plate	2
20	5650032003	Plain Washer	2
21	3127847001	Fan	1
22	3520852002	Motor Bushing	1
23	3706023001	Blade	1
24	5650510001	Washer	1
25	5640226001	Flange Bolt	1
26	3127956001	Rear Enclosure	1
27	3660609001	Tension Spring	1
28	2824128001	Connecting Rod ASSY	1
29	3126410001	Height Adjusting Lever	1
30	5620033005	Screw	1
31	3660606001	Torsion Spring	1
32	5670184002	Pin	1
33	2824126001	Height Adjusting Bar ASSY	1
34	3128114001	Trail Shield	1
35	5650004001	Plain Washer	3
36	3127964001	Pivot Shoe	2
37	2824346001	Rear Axle Set	1
38	3705261001	Mounting Plate	2
39	5650453001	Wave Washer	4
40	2824430001	Wheel Assembly	2
41	3126765001	Hubcap	2
42	3650172001	Bag Frame	1
43	3800110002	Grass Catcher	1
44	5680196001	Key	1
45	3127949001	Mulch Plug	1
46	3127950001	Side Discharge Chute	1

47	5630060004	Hexagon Nut	2
48	3126580001	Switch Lever	1
49	3126639001	Wire Holder	1
50	3700095002	Washer	2
51	5640228001	Screw	2
52	3127944001	Rear Cover	1
53	3660559001	Torsion Spring	1
54	5660139002	E Ring	1
55	5670382001	Shaft	1
56	2824349001	Handle ASSY	1
57	5620369004	Screw	3
58	5630271001	Nut	6
59	2824125001	Right Support ASSY	1
60	3126337001	Motor Top Cover	1
61	4860313001	Internal Wire ASSY	1
62	3660076001	Spring	1
63	3126641001	Rotating Block	1
64	5610032004	Tapping Screw	2
65	4870541002	Push Switch	1
66	3122798001	Cord Anchorage	1
67	3128298001	Rear Cover	1
68	2824134001	Left Support ASSY	1
69	3127947001	Service Cover	1
70	3127951001	Housing Cover	1
201	2824419002	Power Unit	1
202		Handle ASSY (not available)	1
203	2824527001	Top Cover ASSY	1

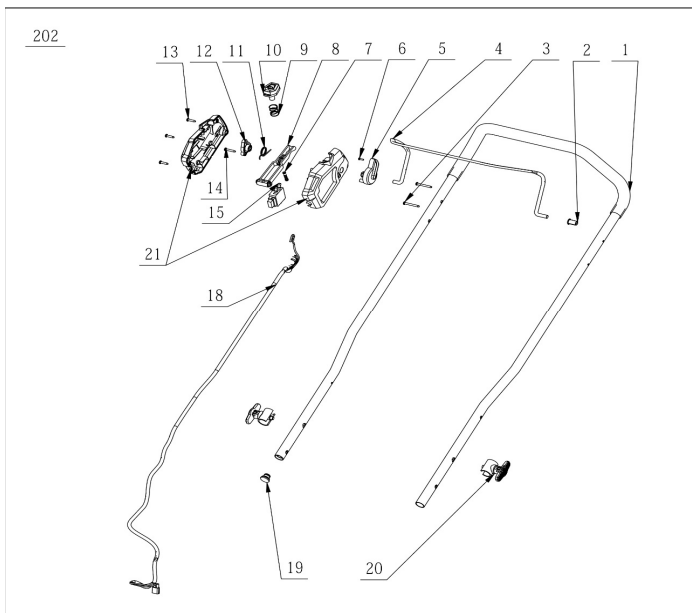
LM2010E + 2011E 201 Motor assembly



1	3127900001	Transparent Guard	1
2	3127880001	Battery Cover	1
3	5610042014	Tapping Screw	19
4	3127879001	Inner Cover	1
5	4870558001	Film Switch	1
6	3127891001	Power Indicator Cover	1
7	3127890001	Cover	1
8	3127881001	Battery Box	1
9	3127899001	Decorative Cover	1
10	3126760001	Release Button	1
11	3126772001	Sliding Block	1
12	4930490001	Wiring Harness	1
13	5650004001	Plain Washer	1
14	2830119002	Electric Assembly	1
15	3660303002	Spring	1
16	2730239001	DC Motor	1
17	3127886001	Bottom Support	1
18	5640008003	Hexagon Head Bolt	3

19	5650168001		Spring Washer	3
20	3700076001		Plate	3
21	5630015001		Prevailing Torque Hexagon Nut	4
22	3126782001		Fixed Unit	1
23	5610032004		Tapping Screw	8
24	3122798001		Cord Anchorage	4
25	3126773001		Lever	2
26	3660306002		Spring	2
27	3127982001		Transparent Cap	1
28	3321927001		EGO Logo	1
29	3127889002		Front Cover	1
30	3127981001		Transparent Cap	1
31	3127983001		Reflector	1
32	3127984001		Reflector	1
33	2823604003		PCB Assembly	1
34	3127898001		Decorative Cover	1
35	5670380001		Pin	1
36	566003003		E Ring	1
37	5680195001		Key Holder	2
38	4970313001	New part. Can be used on new and old machines	fuse	1

LM2010E + 2011E 202 Handle assembly



1	2824206001	Handle ASSY	1
2	3128065001	Bush	1
3	5610047006	Tapping Screw	2
4	3650169001	Control Handle	1
5	3128061001	Button	1
6	5620033010	Screw	1
7	3660399001	Spring	1
8	3127948001	Connecting Rod	1
9	3660497001	Compression Spring	1
10	3128062001	Push Button	1
11	3660608001	Torsion Spring	1
12	3128063001	Switch Lever	1
13	5620157006	Tapping Screw	3
14	5610044002	Tapping Screw	1
15	4870566001	Push Switch	1
18	4860311001	Internal Wire ASSY	1
19	3128161001	End Cap	1
20	2824261001	Adjusting Handle Set	2
401	2824523001	Switch Box Set	1