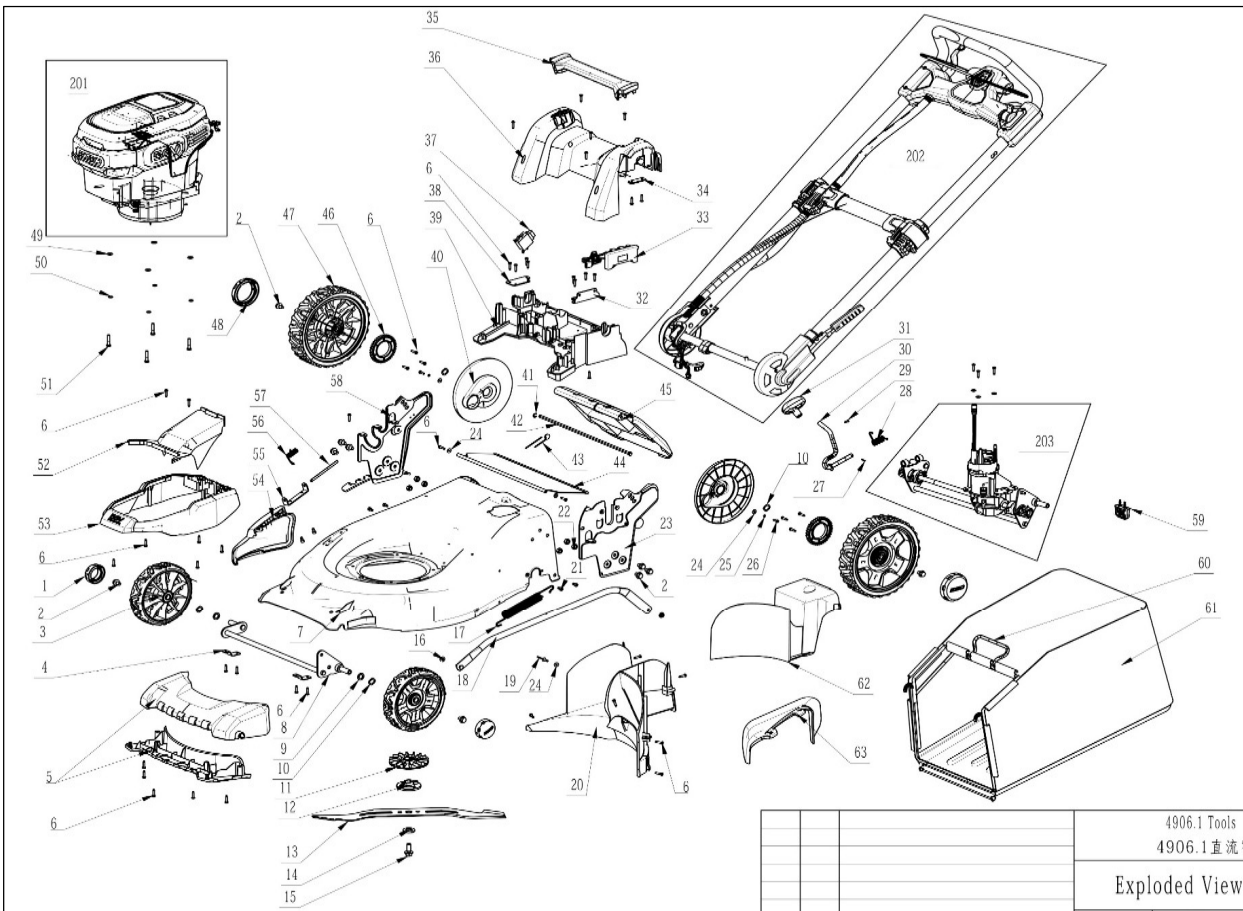


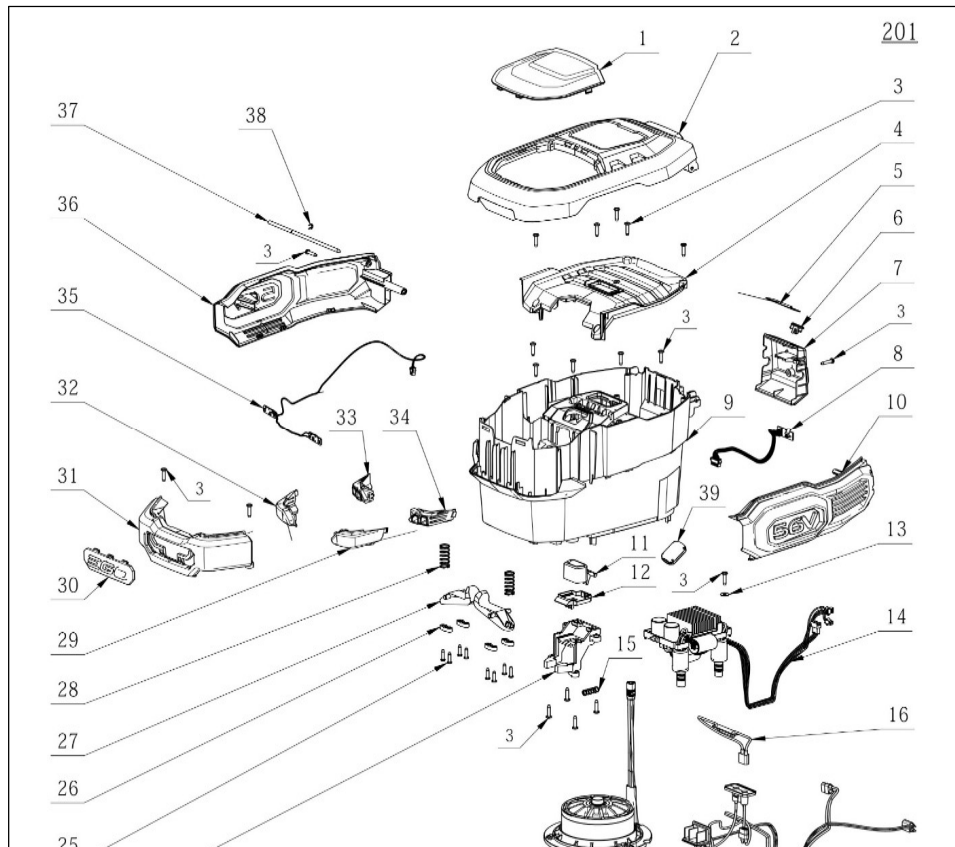
# LM2020E-SP

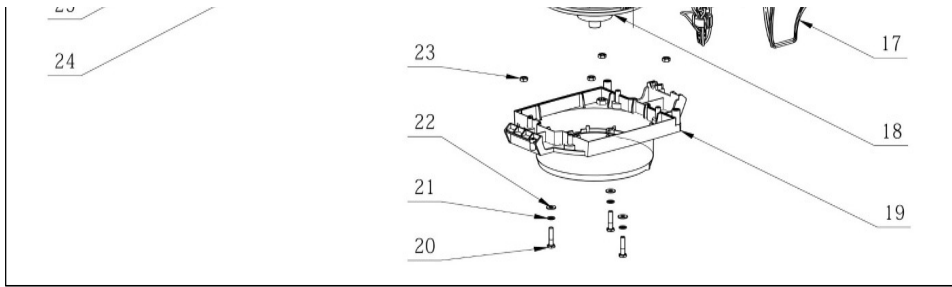


Index No.	Art. No.	Technical Information	Description	QTY in machine
1	3126769001		Hubcap	2
2	5640010003		Hexagon Flange Bolt	10
3	2824429001		Wheel Assembly	2
4	3705216001		Mounting Plate	2
5	2824527001		Top Cover ASSY	1
6	5620157006		Hexagon Socket Screw	53
7	3705890001		Deck Unit	1
8	2824348001		Front Axle Set	1
9	5650032003		Plain Washer	2
10	5650453001		Wave Washer	4
11	3127847001		Fan	1
12	3520852002		Motor Bushing	1
13	3706023001	Available as accessory	Blade	1
14	5650510001		Washer	1
15	5640226001		Flange Bolt	1
16	5630013003		Prevailing Torque Hexagon Nut	2
17	3660609001		Tension Spring	1
18	2824128001		Connecting Rod ASSY	1
19	5680200001		Rivet	1
20	3127956001		Rear Enclosure	1
21	5620213003		Hexagon Socket Screw	6
22	5630271001		Nut	6
23	3706155001		Support Plate	1
24	5650004001		Plain Washer	9
25	5650007001		Spring Washer	2
26	5620041006		Screw	2
27	5670184002		Pin	1
28	3660606001		Torsion Spring	1
29	5620033010		Screw	1
30	2824882001		Height Adjusting Bar	1

31	3128692001		Height Adjusting Lever	1
32	3706196001		Left Fixing Block	1
33	2830177002		Electric Assembly	1
34	3705398001		Mounting Plate	1
35	3127976001		Auxiliary Handle	1
36	3126985001		Motor Top Cover	1
37	4870566002		Push Switch	1
38	3706195001		Right Fixing Block	1
39	3126984001		Rear Cover	1
40	3127923001		Protecting Cap	2
41	5660139002		E Ring	1
42	5670382001		Shaft	1
43	3660559001		Torsion Spring	1
44	3128114001		Trail Shield	1
45	3127944001		Rear Cover	1
46	3520933001		Gear	2
47	2824430001		Wheel Assembly	2
48	3126765001		Hubcap	2
49	3700076001		Plate	4
50	5650168002		Spring Washer	4
51	5640008003		Hexagon Head Bolt	4
52	3128686001		Service Cover	1
53	3127951001		Housing Cover	1
54	3127965001		Guard	1
55	3705862001		Bevel Support	1
56	3660607001		Torsion Spring	1
57	5670384001		Pin	1
58	2824721001		Support ASSY	1
59	5680196001		Key	1
60	3800110001		Grass Catcher	1
61	3650172001		Bag Frame	1
62	3127949001		Mulch Plug	1
63	3127950001		Side Discharge Chute	1
201	2824822005		Power Unit	1
202		Not available as spare part	Handle ASSY	1
203	2824960001		Self-Propelled Unit	1

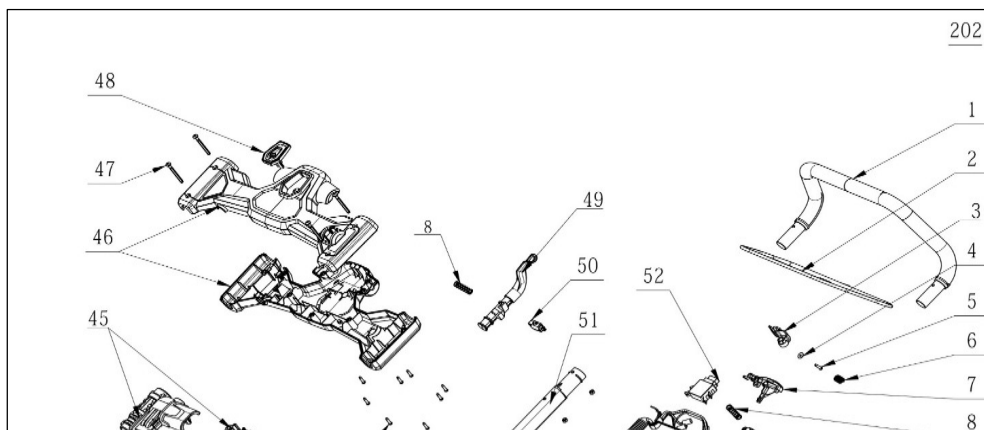
### LM2020E-SP 201 Motor assembly

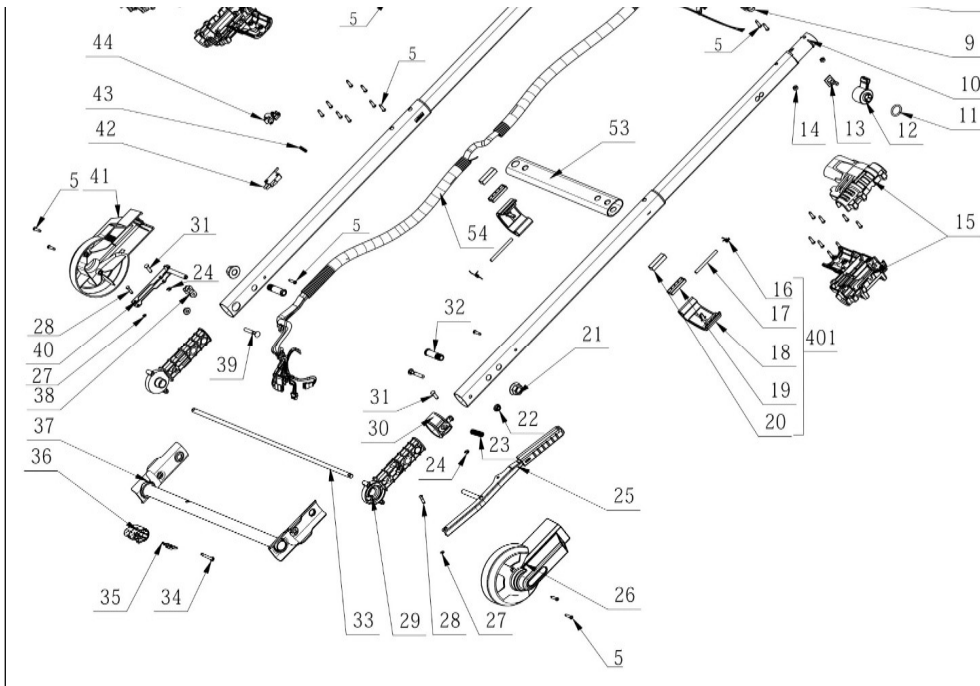




1	3127900001		Transparent Guard	1
2	3127880001		Battery Cover	1
3	5610042014		Tapping Screw	19
4	3127879001		Inner Cover	1
5	4870558002		Film Switch	1
6	3127891001		Power Indicator Cover	1
7	3127890001		Cover	1
8	2830186001		Electric Assembly	1
9	3127881001		Battery Box	1
10	3127899001		Decorative Cover	1
11	3126760001		Release Button	1
12	3126772001		Sliding Block	1
13	5650004001		Plain Washer	1
14	2830176002		Electric Assembly	1
15	3660303002		Spring	1
16	2830216001		PCB Assembly	1
17	2830201002		Electric Assembly	1
18	2730249001		DC Motor	1
19	3127886001		Bottom Support	1
20	5640008003		Hexagon Head Bolt	3
21	5650168002		Spring Washer	3
22	3700076001		Plate	3
23	5630015001		Prevailing Torque Hexagon Nut	4
24	3126782001		Fixed Unit	1
25	5610032004		Tapping Screw	8
26	3122798001		Cord Anchorage	4
27	3126773001		Lever	2
28	3660306002		Spring	2
29	3127982001		Transparent Cap	1
30	3321927001		EGO Logo	1
31	3127889002		Front Cover	1
32	3127981001		Transparent Cap	1
33	3127983001		Reflector	1
34	3127984001		Reflector	1
35	2830182001		Electric Assembly	1
36	3127898001		Decorative Cover	1
37	5670380001		Pin	1
38	5660003003		E Ring	1
39	3680226001		Magnetic Block	1

## LM2020E-SP 202 Handle assembly

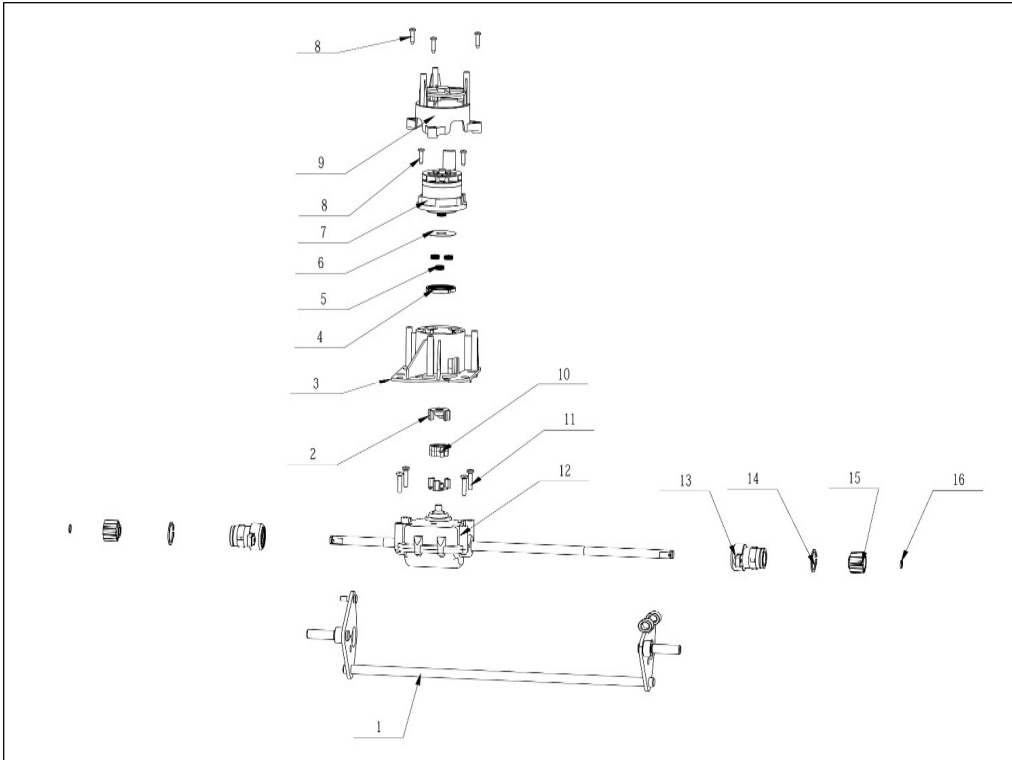




1	2823782001		Sheath ASSY	1
2	2824118001		Control Handle ASSY	1
3	3127905001		Switch Actuator	1
4	5650004001		Plain Washer	1
5	5610294001		Tapping Screw	35
6	3660011002		Spring	1
7	3127908001		Switch Lever	1
8	3660562001		Compression Spring	2
9	3126763001		Clamp	1
10	2824850001		Telescope Tube	1
11	3123112001		O Ring	1
12	3127930001		Adjusting Knob	1
13	4890439003		PCB Assembly	1
14	5630006002		Prevailing Torque Hexagon Nut	4
15	2824427001		Left Cover Set	1
16	3660568001		Tension Spring	2
17	5670191002		Parallel Pin	2
18	3126790002		Control Handle	2
19	3126761001		Clamp Block	2
20	3126832001		Rubber Block	2
21	5630268001		Nut	2
22	5630013001		Prevailing Torque Hexagon Nut	2
23	3660565001		Compression Spring	1
24	5660003003		E Ring	2
25	2825244001		Handle Lever Set	1
26	3128647001		Decorative Cover	1
27	5660001003		E Ring	2
28	5670248001		Pin	2
29	3127071001		Tie-in	2
30	3126775001		Fixing Block	1
31	3550048003		Pin	2
32	3551952001		Sleeve	2
33	5670432001		Pin	1
34	5610276001		Hexagon Lobular Tapping Screw	1
35	3128687001		Lock Cover	1
36	3127087001		Switch Lever	1
37	2824717001		Spindle ASSY	1
38	3128646001		Pivot Shoe	1
39	5640168001		Square Neck Bolt	2
40	2825245001		Connecting Rod	1
41	3128648001		Decorative Cover	1
42	4870500001		Micro Switch	1
43	3660287002		Spring	1
44	3126768001		Switch Actuator	1

45	2824426001		Right Cover Set	1
46	2824305001		Switch Box Set	1
47	5610064005		Thread Forming Screw	4
48	3127929001		Button	1
49	3127928001		Control Handle	1
50	4870563001		Push Switch	1
51	2824849001		Telescope Tube	1
52	4870566001		Push Switch	1
53	3705393001		Intermedium Tube	1
54	2824979002		Internal Wire ASSY	1
401	2823714002		Control Handle Set	2

## LM2020E-SP 203 Self propelled unit



1	2824347001		Rear Axle Set	1
2	3520672001		Shaft Connector	2
3	2824425002		Shaft ASSY	1
4	3520519001		Ring Gear	1
5	3520868001		Planet Gear	3
6	3703931002		Gasket	1
7	2824920002		Motor & Gear ASSY	1
8	5620157006		Tapping Screw	5
9	3128693001		Motor Support	1
10	3126674001		Connector	1
11	5610060004		Tapping Screw	4
12	2824148001		Transmission ASSY	1
13	2824529001		Bearing Support ASSY	2
14	5660152002		Circlips For Shaft	2
15	3520870001		Pinion	2
16	5660035001		Circlips For Shaft	2